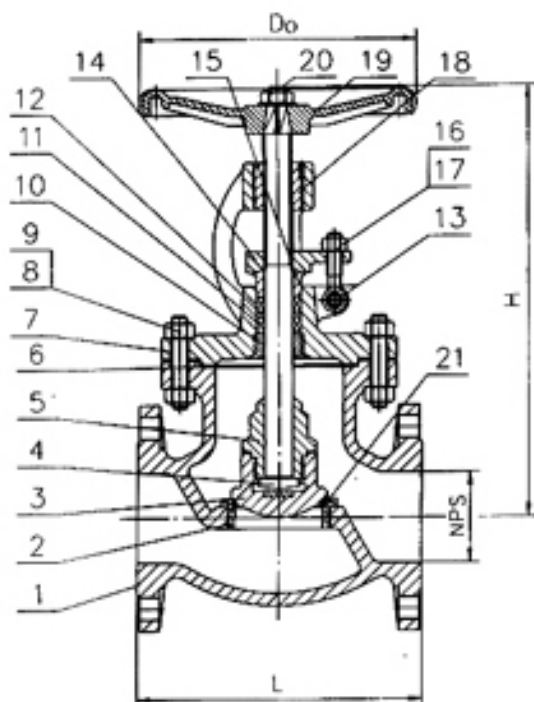




AR.TEK
service
srl

**VALVOLA DISCO - API 600
CLASS 150**



STANDARDS

Face to Face Dimensions:	ANSI B16.10
End Flange Dimensions:	ANSI B16.5
Buttwelding Ends:	ANSI B16.25
Shell Wall Thickness:	API 600
Basic Design:	BS 1873
Test:	API 598

Class 150																	
DN	15	25	40	50	65	80	100	125	150	200	250	300	350	400	450	500	600
NPS	1/2	1	1 1/2	2	2 1/2	3	4	5	6	8	10	12	14	16	18	20	24
L-L ₁ (RF-BW)	108 4.3	127 5	165 6.5	203 8	216 8.5	241 9.5	292 11.5	356 14	406 16	495 19.5	622 24.5	699 27.5	787 31	914 36	-	-	-
L ₂ (RTJ)	119 4.7	140 5.5	178 7	216 8.5	229 9	254 10	305 12	369 14.5	419 16.5	508 20	635 25	711 28	790 31.1	917 36.1	-	-	-
H	320 12.6	335 13.2	345 13.5	380 15	435 17.1	465 18.3	530 20.9	580 22.9	650 25.6	760 30	860 33.9	1000 39.4	1375 54.13	1569 61.8	-	-	-
D _o	150 6	200 8	200 8	200 8	250 10	250 10	250 10	300 12	350 14	400 16	500 20	600 24	600 20	600 24	-	-	-
RF(kg)	7	8	16	20	26	35	65	90	113	190	238	410	530	690	-	-	-
BW(kg)	6	7	13	18	22	28	55	75	93	170	215	370	510	870	-	-	-

MATERIAL LIST

NO.	Part Name	Carbon Steel		Alloy Steel			Stainless Steel			
		WCB	LCB	WC6	WC9	C5	CF8	CF8M	CF3	CF3M
1	Body	A216 WCB	A352 LCB	A217 WC9	A217 WC9	A217 C5	A351 CF8	A351 CF8M	A351 CF3	A351 CF3M
2	Seat Ring	A105	A350 LF2	A182 F304	A182 F304	A182 F304	A182 F304	A182 F316	A182 F304L	A182 F316L
3	Disc	A105	A350 LF2	A217 WC6	A217 WC6	A217 C5	A351 CF8	A351 CF8M	A351 CF3	A351 CF3M
4	Stem	A182 F6	A182 F304	A182 F304	A182 F304	A182 F304	A182 F304	A182 F316	A182 F304L	A182 F316L
5	Disc Nut	A182 F6	A182 F6	A182 F304	A182 F304	A182 F304	A182 F304	A182 F316	A182 F304L	A182 F316L
6	Gasket	Solid metal serrated gasket		Stainless steel and graphite spiral wound			Non-metallic gasket			
7	Bonnet	A216 WCB	A352 LCB	A217 WC6	A217 WC9	A217 C5	A351 CF8	A351 CF8M	A351 CF3	A351 CF3M
8	Bonnet Bolt	A193 B7		A320 L7	A193B16		A320 B8	A193 B8M		
9	Bonnet Nut	A194 2H		A194 4	A194 7	A194 8				
10	Backseat Bushing	A182 F6	A182 F6	A182 F304	A182 F304	A182 F304	A182 F304	A182 F316	A182 F304L	A182 F316L
11	Stem Packing	Graphite								
12	Lantern*	A182 F6	A182 F6	A182 F304	A182 F304	A182 F304	A182 F304	A182 F316	A182 F304L	A182 F316L
13	Pin	Carbon Steel or Alloy Steel								
14	Gland Flange	A216 WCB	A352 LCB	A217 WC6	A217 WC9	A217 C5	A351 CF8	A351 CF8M	A351 CF3	A351 CF3M
15	Gland	A182 F6	A182 F6	A182 F304	A182 F304	A182 F304	A182 F304	A182 F316	A182 F304L	A182 F316L
16	Gland Eyebolt	A307 B		A320L7	A193 B7	A193 B8				
17	Gland Nut	A194 2H		A194 4	A194 8					
18	Stem Nut	A439 D2		ZCuAl10Fe3(GB standard)						
19	Handwheel	Ductile Iron or Steel								
20	H.W.Lock Nut	Carbon Steel or Alloy Steel								
21	Sealing face overlay	13Cr and 18Cr-8Ni or HF(Co-CrA)								

The material is according to ASTM standard.

* must be stated in contract.