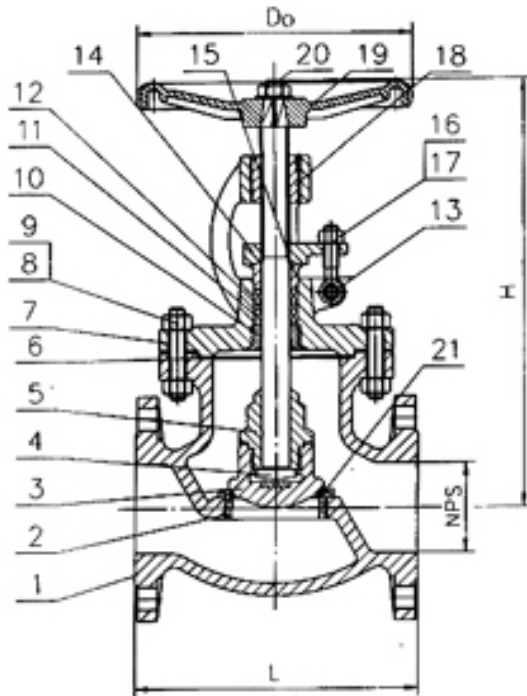




**AR.TEK**  
service  
srl

**VALVOLA DISCO - API 600  
CLASS 300**



## STANDARDS

Face to Face Dimensions:	ANSI B16.10
End Flange Dimensions:	ANSI B16.5
Buttwelding Ends:	ANSI B16.25
Shell Wall Thickness:	API 600
Basic Design:	BS 1873
Test:	API 598

Class 300														
DN NPS	15 1/2	25 1	40 1 1/2	50 2	65 2 1/2	80 3	100 4	125 5	150 6	200 8	250 10	300 12	350 14	400 16
L-L <sub>1</sub> (RF-BW)	152 6	203 8	229 9	267 10.5	292 11.5	318 12.5	356 14	400 15.8	445 17.5	559 22	622 24.5	711 28	-	-
L <sub>2</sub> (RTJ)	163 6.4	216 8.5	241 9.5	283 11.1	308 12.1	333 13.1	371 14.6	416 16.4	460 18.1	575 22.6	635 25.1	714 28.1	-	-
H	370 14.6	385 15.2	405 16	425 16.8	465 18.3	530 20.6	610 24	695 27.7	790 31.1	870 34.2	1040 41	1375 54.13	-	-
D <sub>o</sub>	200 8	200 8	200 8	200 8	250 10	250 10	300 12	300 12	400 16	500 20	500 20	500 20	-	-
RF(kg) BW(kg)	10 8	12 10	21 16	30 25	37 30	60 52	90 75	130 110	176 150	333 320	340 280	550 520	-	-

## MATERIAL LIST

NO.	Part Name	Carbon Steel		Alloy Steel			Stainless Steel			
		WCB	LCB	WC6	WC9	C5	CF8	CF8M	CF3	CF3M
1	Body	A216 WCB	A352 LCB	A217 WC9	A217 WC9	A217 C5	A351 CF8	A351 CF8M	A351 CF3	A351 CF3M
2	Seat Ring	A105	A350 LF2	A182 F304	A182 F304	A182 F304	A182 F304	A182 F316	A182 F304L	A182 F316L
3	Disc	A105	A350 LF2	A217 WC6	A217 WC6	A217 C5	A351 CF8	A351 CF8M	A351 CF3	A351 CF3M
4	Stem	A182 F6	A182 F304	A182 F304	A182 F304	A182 F304	A182 F304	A182 F316	A182 F304L	A182 F316L
5	Disc Nut	A182 F6	A182 F6	A182 F304	A182 F304	A182 F304	A182 F304	A182 F316	A182 F304L	A182 F316L
6	Gasket	Solid metal serrated gasket		Stainless steel and graphite spiral wound			Non-metallic gasket			
7	Bonnet	A216 WCB	A352 LCB	A217 WC6	A217 WC9	A217 C5	A351 CF8	A351 CF8M	A351 CF3	A351 CF3M
8	Bonnet Bolt	A193 B7		A320 L7	A193B16		A320 B8	A193 B8M		
9	Bonnet Nut	A194 2H		A194 4	A194 7	A194 8				
10	Backseat Bushing	A182 F6	A182 F6	A182 F304	A182 F304	A182 F304	A182 F304	A182 F316	A182 F304L	A182 F316L
11	Stem Packing	Graphite								
12	Lantern*	A182 F6	A182 F6	A182 F304	A182 F304	A182 F304	A182 F304	A182 F316	A182 F304L	A182 F316L
13	Pin	Carbon Steel or Alloy Steel								
14	Gland Flange	A216 WCB	A352 LCB	A217 WC6	A217 WC9	A217 C5	A351 CF8	A351 CF8M	A351 CF3	A351 CF3M
15	Gland	A182 F6	A182 F6	A182 F304	A182 F304	A182 F304	A182 F304	A182 F316	A182 F304L	A182 F316L
16	Gland Eyebolt	A307 B		A320L7	A193 B7	A193 B8				
17	Gland Nut	A194 2H		A194 4	A194 8					
18	Stem Nut	A439 D2		ZCuAl10Fe3(GB standard)						
19	Handwheel	Ductile Iron or Steel								
20	H.W.Lock Nut	Carbon Steel or Alloy Steel								
21	Sealing face overlay	13Cr and 18Cr-8Ni or HF(Co-CrA)								

The material is according to ASTM standard.

\* must be stated in contract.