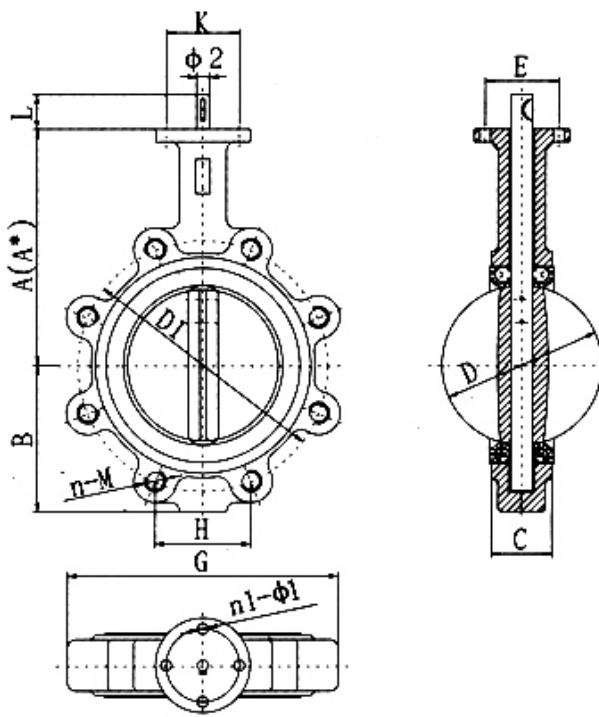




2.LUGGED TYPE 1.0/1.6Mpa



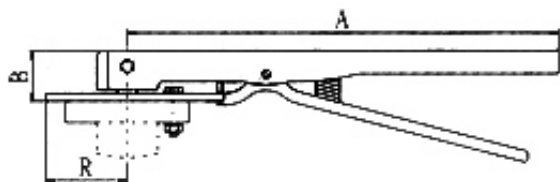
STANDARDS

| | |
|-------------|---|
| Design | MSS SP-67/API 609 |
| Test | API 598 |
| Flange Ends | ANSI B16.1, DIN2501,BS10-E BS4504, ISO2084,2531, etc. |
| Top Flange | ISO5211 |

MATERIAL

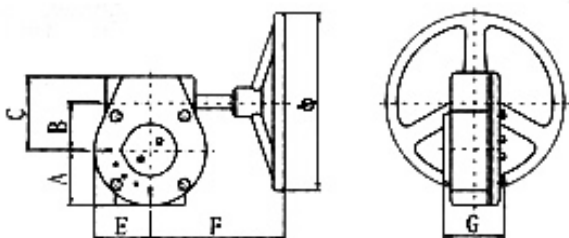
| Part name | Material |
|-----------|--|
| 1 BODY | GG25, GGG40 Epossidic Coated Blue, Carbon Steel, Stainless Steel |
| 2 BUSHING | Lubricated Bronze, PTFE |
| 3 STEM | SS416, SS304, SS316 |
| 4 O-RING | BUNA, EPDM |
| 5 PIN | SS316, SS304 |
| 6 SEAT | BUNA, EPDM, VITON |
| 7 DISC | BRONZE, BRASS |

Alternatives Available'



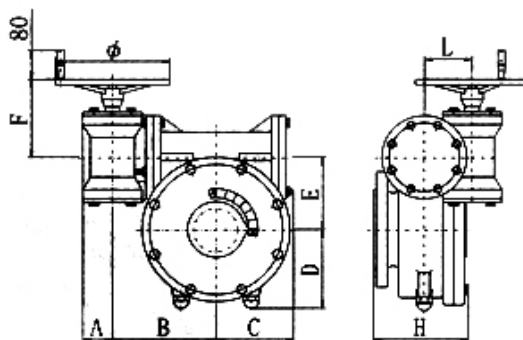
Dimensioni e Pesì Leva Manuale

| Size | A | B | R | Weight |
|----------|-------|----|------|--------|
| 2" ~ 4" | 266,7 | 32 | 52 | 0,8 |
| 5" ~ 6" | 313 | 32 | 52 | 1 |
| 8" ~ 10" | 359 | 45 | 75,2 | 2,0 |
| 12" | 490 | 45 | 75,2 | 3,0 |



Dimensioni e Pesì Riduttore a Volantino

| Model | Size | A | B | C | E | F | G | °μ | Weight |
|---------|---------|----|-------|-----|-----|-------|----|-----|--------|
| 3DB-15 | 2"~6" | 52 | 45 | 74 | 0,8 | 152,5 | 75 | 150 | 4,8 |
| 3DB-50 | 8"~10" | 75 | 62,75 | 101 | 1 | 250 | 86 | 300 | 11,7 |
| 3DB-120 | 12"~14" | 81 | 80 | 118 | 2,0 | 227 | 83 | 300 | 14 |



Dimensioni e Pesì Doppio Riduttore a Volantino

| Model | Size | A | B | C | E | F | H | L | °μ | Weight |
|-------------|-----------|----|-----|-----|-----|-----|-----|-----|-----|--------|
| 3D-30/250 | 16" ~ 18" | 42 | 160 | 125 | 90 | 200 | 105 | 60 | 300 | 40 |
| 3D-30/300 | 20" | 42 | 185 | 160 | 110 | 200 | 120 | 60 | 380 | 55 |
| 3D-30/400 | 24" | 42 | 185 | 160 | 125 | 225 | 120 | 60 | 380 | 60 |
| 3D-60/800 | 28" ~ 32" | 50 | 228 | 185 | 155 | 235 | 125 | 78 | 380 | 90 |
| 3D-120/1500 | 36" ~ 40" | 65 | 266 | 200 | 192 | 238 | 200 | 120 | 450 | 160 |

| SIZE | A | A* | B | C | D | L | H | D1 | n-M | K | E | •μ1 | •μ2 | G | Weight |
|------|-----|-----|-----|-------|--------|---------|------------------|------------|------------------|-----|--------|--------|-------|-----|--------|
| 2" | 161 | 124 | 80 | 42 | 52.9 | 32 | 88.38 | 125 | 4-M16 | 77 | 57.15 | 4-6.7 | 12.6 | 118 | 3.8 |
| 2.5" | 175 | 134 | 89 | 44.7 | 64.5 | 32 | 102.54 | 145 | 4-M16 | 77 | 57.15 | 4-6.7 | 12.6 | 137 | 4.2 |
| 3" | 181 | 141 | 95 | 45.2 | 78.8 | 32 | 61.23 | 160 | 8-M16 | 77 | 57.15 | 4-6.7 | 12.6 | 178 | 4.7 |
| 4" | 200 | 156 | 114 | 52.1 | 104 | 32 | 68.88 | 180 | 8-M16 | 92 | 69.85 | 4-10.3 | 15.77 | 206 | 9.0 |
| 5" | 213 | 168 | 127 | 54.4 | 123.3 | 32 | 80.36 | 210 | 8-M16 | 92 | 69.85 | 4-10.3 | 18.92 | 238 | 10.9 |
| 6" | 226 | 184 | 139 | 55.8 | 155.6 | 32 | 91.84 | 240 | 8-M20 | 92 | 69.85 | 4-10.3 | 18.92 | 266 | 14.2 |
| 8" | 260 | 213 | 175 | 60.6 | 202.5 | 45 | 112.89 76.35 | 295 | 8-M20 12-M20 | 115 | 88.9 | 4-14.3 | 22.10 | 329 | 18.2 |
| 10" | 292 | 244 | 203 | 65.6 | 250.5 | 45 | 90.59 91.88 | 350 355 | 12-M20 12-M24 | 115 | 88.9 | 4-14.3 | 28.45 | 393 | 26.8 |
| 12" | 337 | 283 | 242 | 76.9 | 301.6 | 45 | 103.52 106.12 | 400 410 | 12-M20 12-M24 | 140 | 107.95 | 4-14.3 | 31.60 | 462 | 40 |
| 14" | 368 | | 267 | 76.5 | 333.3 | 45 | 89.74 91.69 | 460 470 | 16-M20 16-M24 | 140 | 107.95 | 4-14.3 | 31.60 | 515 | 56 |
| 16" | 400 | | 309 | 86.5 | 389.6 | 51.2/72 | 100.48 102.42 | 515 525 | 16-M24 16-M27 | 197 | | 4-20.6 | 33.15 | 579 | 96 |
| 18" | 422 | | 328 | 105.6 | 440.51 | 51.2/72 | 88.38 91.51 | 565 585 | 20-M24 20-M27 | 197 | 158.75 | 4-20.6 | 38 | 627 | 122 |
| 20" | 480 | | 361 | 131.8 | 491.6 | 64.2/82 | 96.99 101.68 | 620 650 | 20-M24 20-M30 | 197 | 158.75 | 4-20.6 | 41.15 | 696 | 202 |
| 24" | 562 | | 459 | 152 | 592.5 | 70.2/82 | 113.42 120.46 | 725 770 | 20-M27 20-M33 | 276 | 215.9 | 4-22.2 | 50.65 | 821 | 270 |