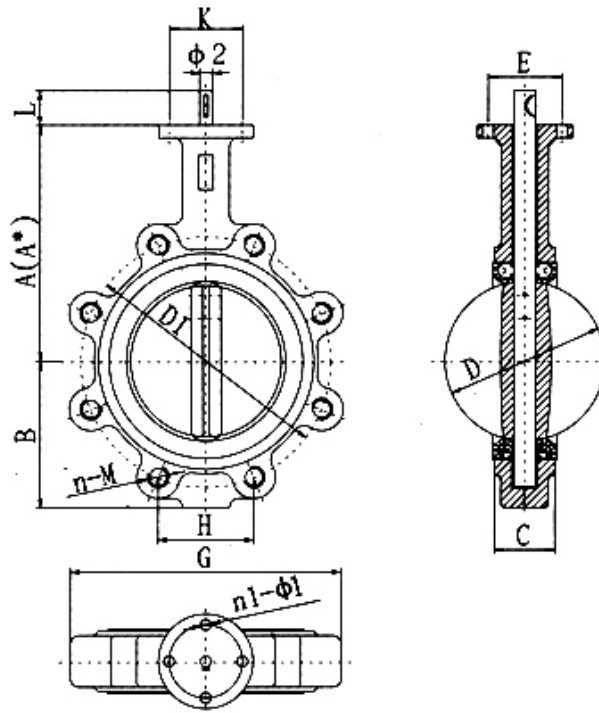




**2.LUGGED TYPE 1.0/1.6Mpa**



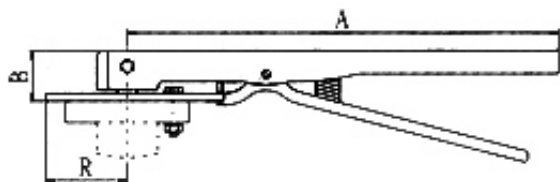
**STANDARDS**

Design	MSS SP-67/API 609
Test	API 598
Flange Ends	ANSI B16.1, DIN2501,BS10-E BS4504, ISO2084,2531, etc.
Top Flange	ISO5211

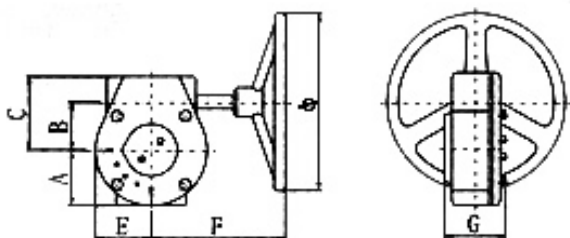
**MATERIAL**

Part name	Material
1 BODY	GG25, GGG40 Epossidic Coated Green, Carbon Steel, Stainless Steel
2 BUSHING	Lubricated Bronze, PTFE
3 STEM	SS416, SS304, SS316
4 O-RING	BUNA, EPDM
5 PIN	SS316, SS304
6 SEAT	BUNA, EPDM, VITON
7 DISC	BRONZE, BRASS

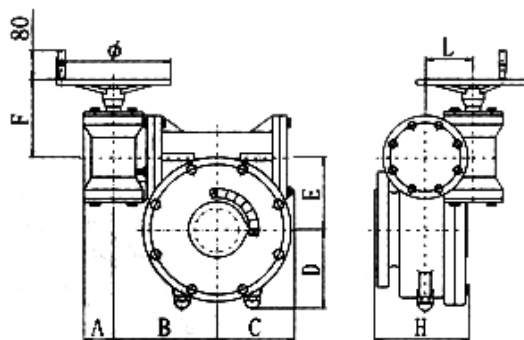
## Alternatives Available'



Dimensioni e Pesì Leva Manuale				
Size	A	B	R	Weight
2" ~ 4"	266,7	32	52	0,8
5" ~ 6"	313	32	52	1
8" ~ 10"	359	45	75,2	2,0
12"	490	45	75,2	3,0



Dimensioni e Pesì Riduttore a Volantino									
Model	Size	A	B	C	E	F	G	°μ	Weight
3DB-15	2"~6"	52	45	74	0,8	152,5	75	150	4,8
3DB-50	8"~10"	75	62,75	101	1	250	86	300	11,7
3DB-120	12"~14"	81	80	118	2,0	227	83	300	14



Dimensioni e Pesì Doppio Riduttore a Volantino										
Model	Size	A	B	C	E	F	H	L	°μ	Weight
3D-30/250	16" ~ 18"	42	160	125	90	200	105	60	300	40
3D-30/300	20"	42	185	160	110	200	120	60	380	55
3D-30/400	24"	42	185	160	125	225	120	60	380	60
3D-60/800	28" ~ 32"	50	228	185	155	235	125	78	380	90
3D-120/1500	36" ~ 40"	65	266	200	192	238	200	120	450	160

SIZE	A	A*	B	C	D	L	H	D1	n-M	K	E	•μ1	•μ2	G	Weight
2"	161	124	80	42	52.9	32	88.38	125	4-M16	77	57.15	4-6.7	12.6	118	3.8
2.5"	175	134	89	44.7	64.5	32	102.54	145	4-M16	77	57.15	4-6.7	12.6	137	4.2
3"	181	141	95	45.2	78.8	32	61.23	160	8-M16	77	57.15	4-6.7	12.6	178	4.7
4"	200	156	114	52.1	104	32	68.88	180	8-M16	92	69.85	4-10.3	15.77	206	9.0
5"	213	168	127	54.4	123.3	32	80.36	210	8-M16	92	69.85	4-10.3	18.92	238	10.9
6"	226	184	139	55.8	155.6	32	91.84	240	8-M20	92	69.85	4-10.3	18.92	266	14.2
8"	260	213	175	60.6	202.5	45	112.89 76.35	295	8-M20 12-M20	115	88.9	4-14.3	22.10	329	18.2
10"	292	244	203	65.6	250.5	45	90.59 91.88	350 355	12-M20 12-M24	115	88.9	4-14.3	28.45	393	26.8
12"	337	283	242	76.9	301.6	45	103.52 106.12	400 410	12-M20 12-M24	140	107.95	4-14.3	31.60	462	40
14"	368		267	76.5	333.3	45	89.74 91.69	460 470	16-M20 16-M24	140	107.95	4-14.3	31.60	515	56
16"	400		309	86.5	389.6	51.2/72	100.48 102.42	515 525	16-M24 16-M27	197		4-20.6	33.15	579	96
18"	422		328	105.6	440.51	51.2/72	88.38 91.51	565 585	20-M24 20-M27	197	158.75	4-20.6	38	627	122
20"	480		361	131.8	491.6	64.2/82	96.99 101.68	620 650	20-M24 20-M30	197	158.75	4-20.6	41.15	696	202
24"	562		459	152	592.5	70.2/82	113.42 120.46	725 770	20-M27 20-M33	276	215.9	4-22.2	50.65	821	270