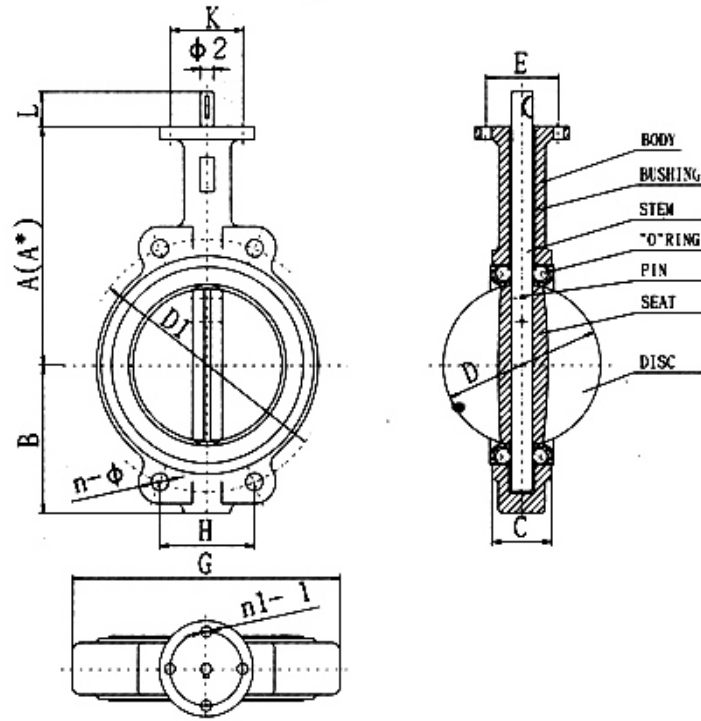




1.WAFER TYPE 1.0/1.6Mpa



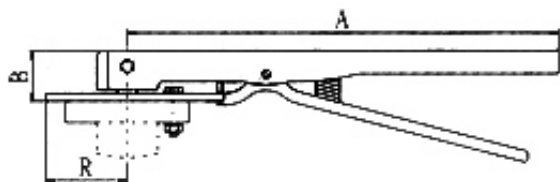
STANDARDS

Design	MSS SP-67/API 609
Test	API 598
Flange Ends	ANSI B16.1, DIN2501,BS10-E BS4504, ISO2084,2531, etc.
Top Flange	ISO5211

MATERIAL

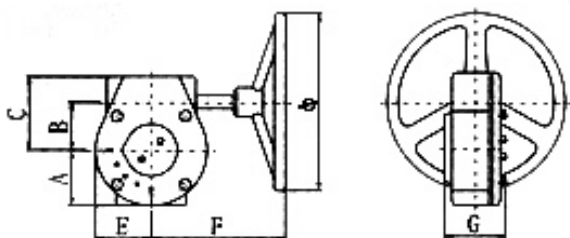
Part name	Material
1 BODY	GG25, GGG40 Epossidic Coated White, Carbon Steel, Stainless Steel
2 BUSHING	Lubricated Bronze, PTFE
3 STEM	SS416, SS304, SS316
4 O-RING	BUNA, EPDM
5 PIN	SS316, SS304
6 SEAT	BUNA, EPDM, VITON
7 DISC	GG25, GGG40, SS316

Alternatives Available'



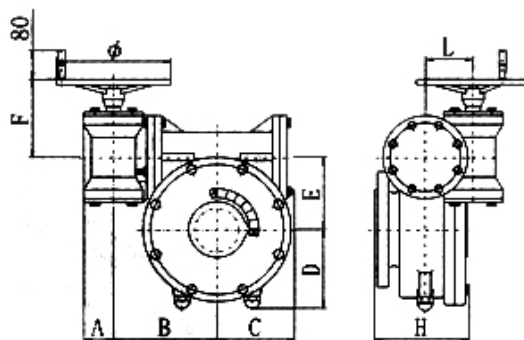
Dimensioni e Pesì Leva Manuale

Size	A	B	R	Weight
2" ~ 4"	266,7	32	52	0,8
5" ~ 6"	313	32	52	1
8" ~ 10"	359	45	75,2	2,0
12"	490	45	75,2	3,0



Dimensioni e Pesì Riduttore a Volantino

Model	Size	A	B	C	E	F	G	°μ	Weight
3DB-15	2"~6"	52	45	74	0,8	152,5	75	150	4,8
3DB-50	8"~10"	75	62,75	101	1	250	86	300	11,7
3DB-120	12"~14"	81	80	118	2,0	227	83	300	14



Dimensioni e Pesì Doppio Riduttore a Volantino

Model	Size	A	B	C	E	F	H	L	°μ	Weight
3D-30/250	16" ~ 18"	42	160	125	90	200	105	60	300	40
3D-30/300	20"	42	185	160	110	200	120	60	380	55
3D-30/400	24"	42	185	160	125	225	120	60	380	60
3D-60/800	28" ~ 32"	50	228	185	155	235	125	78	380	90
3D-120/1500	36" ~ 40"	65	266	200	192	238	200	120	450	160

SIZE	A	A*	B	C	D	L	H	D1	n·μ	K	E	μ 1	μ 2	G	Weight
2"	161	124	80	42	52.9	32	84.84	120	4-23	77	57.15	4-6.7	12.6	118	2.5
2.5"	175	134	89	44.7	64.5	32	96.2	136.2	4-26.5	77	57.15	4-6.7	12.6	137	3.2
3"	181	141	95	45.2	78.8	32	61.23	160	8-18	77	57.15	4-6.7	12.6	143	3.6
4"	200	156	114	52.1	104	32	70.80	185	4-24.5	92	69.85	4-10.3	15.77	156	4.9
5"	213	168	127	54.4	123.3	32	82.28	215	4-23	92	69.85	4-10.3	18.92	190	7
6"	226	184	139	55.8	155.6	32	91.08	238	4-25	92	69.85	4-10.3	18.92	212	7.8
8"	260	213	175	60.6	202.5	45	112.89 76.35	295	4-25 4-23	115	88.9	4-14.3	22.10	268	13.2
10"	292	244	203	65.6	250.5	45	92.40	357	4-29	115	88.9	4-14.3	28.45	325	19.2
12"	337	283	242	76.9	301.6	45	105.34	407	4-29	140	107.95	4-14.3	31.60	403	32.5
14"	368		267	76.5	333.3	45	91.11	467	4-30	140	107.95	4-14.3	31.60	436	41.3
16"	400		309	86.5	389.6	51.2 72	100.47 102.42	515 525	4-26 4-30	197	158.75	4-20.6	33.15	488	61
18"	422		328	105.6	440.51	51.2 72	88.39 91.51	565 585	4-26 4-30	197	158.75	4-20.6	38	539	79
20"	480		361	131.8	491.6	64.2 82	96.99 101.68	620 650	4-26 4-33	197	158.75	4-20.6	41.15	593	128
24"	562		459	152	592.5	70.2 82	113.42 120.46	725 770	20-30 20-36	276	215.9	4-22.2	50.65	816	188
28"	624		520	163	695	66 82	109.65	840	24-30 20-36	300	254	8-18	55 63.35	895	284
32"	672		591	188	794.7	66 82	124	950	24-33 24-39	300	254	8-18	55 63.35	1015	368
36"	720		656	203	864.7	118	117.57	1050	24-33	300	254	8-18	75	1115	713
40"	800		721	216	965	142	129.89	1160	24-36	300	254	8-18	85	1230	864