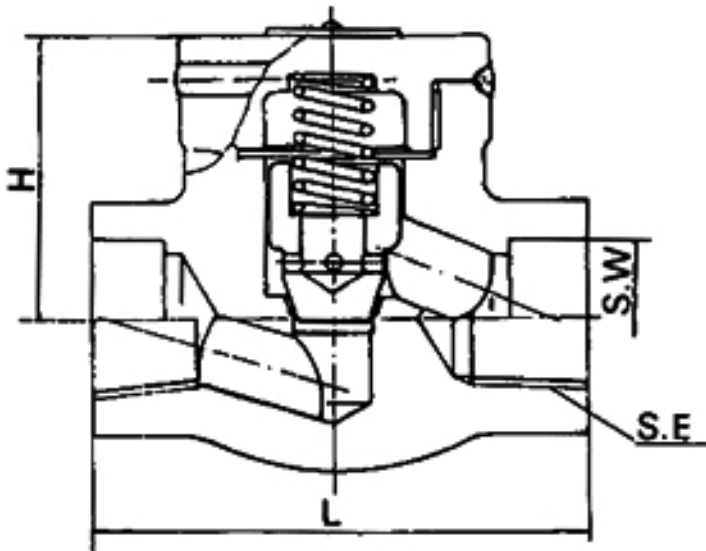




AR.TEK
service
srl

**VALVOLA - RITEGNO - API 602
CLASS 1500**



APPLICABLE STANDARDS:

- ▲ BASIC DESIGN, API 602 & ANSI B16.34
- ▲ SOCKET-WELD (S.W), ANSI B16.11
- ▲ STANDARD MATERIAL: A105.LF2.F5.F11.F22
F304.F304L.F316.F316L

LIFT CHECK VALVE

Nominal diameter	Reduced Port	mm(in)	8(1/4)	10(3/8)	15(1/2)	20(3/4)	25(1)	32(1¼)	40(1½)	50(2)
	Full Port	mm(in)	—	—	10(3/8)	15(1/2)	20(3/4)	25(1)	32(1¼)	40(1½)
d		mm	7	7	10	13	17	23	30	37
L		mm	111	111	111	111	130	152	172	220
H		mm	79	79	79	79	97	104	120	139
Weight		kg	3.0	3.0	3.0	3.4	4.8	6.9	10.7	14.6

SWING CHECK VALVE

Nominal diameter	Reduced Port	mm(in)	8(1/4)	10(3/8)	15(1/2)	20(3/4)	25(1)	32(1¼)	40(1½)	50(2)
	Full Port	mm(in)	—	—	10(3/8)	15(1/2)	20(3/4)	25(1)	32(1¼)	40(1½)
d		mm	7	7	10	13.6	18	24	29	36.8
L		mm	111	111	111	111	120	140	140	162
H		mm	79	79	79	79	97	105	120	140
Weight		kg	3.2	3.1	3.0	3.6	4.3	6.1	8.8	12.6

Due to continuous development of our products, we reserve the right to modify our product design or construction without prior notice.