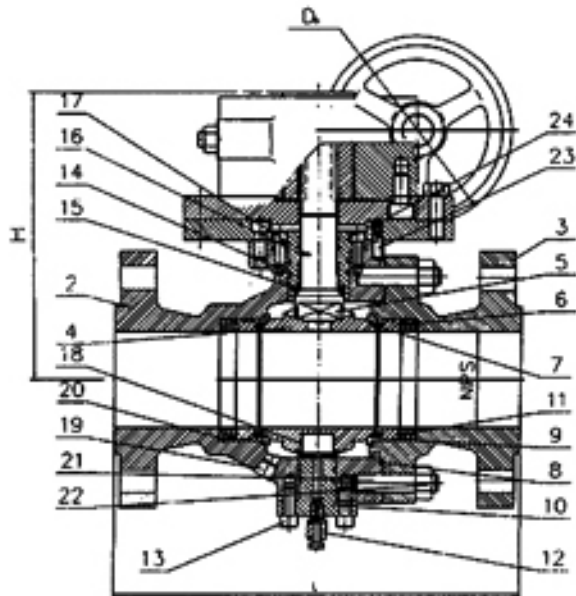




AR.TEK
service
srl

VALVOLA - SFERA - API 608
2 PEZZI
CLASS 900



two-piece body

STANDARDS

Design and manufacture: API 6D, API 608, ANSI B16.34
or BS 5351

Face to face dimensions: ANSI B16.10

Pressure-Temp Ratings: ANSI B16.34

Test: API 6D or API 598

End flange dimensions

NPS 2-24: ANSI B16.5

NPS 28: API 605 or MSS SP-44

CLASS 900												
DN	50	65	80	100	150	200	250	300	350	400	450	500
NPS	2	2 1/2	3	4	6	8	10	12	14	16	18	20
L(RF)	368	419	381	457	610	737	838	965	1029	1130	1219	1321
	14.5	16.5	15	18	24	29	33	38	40.5	44.5	48	52
L ₁ (BW)	368	419	381	457	610	737	838	965	1029	1130	1219	1321
	14.5	16.5	15	18	24	29	33	38	40.5	44.5	48	52
L ₂ (RTJ)	371	422	384	460	613	740	841	968	1032	1133	1222	1327
	14.63	16.63	15.13	18.13	24.13	29.13	33.13	38.13	40.6	44.6	48.1	52.3
H	162	195	205	239	290	355	510	595	650	750	835	900
	6.36	7.7	8.05	9.41	11.4	14	20	23.4	25.6	29.5	32.9	35.4
D ₀ (W)	600	850	1250	1300	1500	*350	*350	*600	*600	*800	*800	*800
	23.62	33.46	49.25	51.22	59	13.8	13.8	23.6	23.6	31.5	31.5	31.5
RF(kg) BW(kg)	48	60	78	170	390	530	1070	1300	1560	2200	2900	4300
	44.5	52.5	75.2	150	370	500	950	1220	1450	2050	2700	4000

MATERIAL LIST

NO.	Part Name	Carbon Steel		Stainless Steel			
		WCB	LCB	CF8	CF8M	CF3	CF3M
1	Body	A216WCB A105	A352LF2	A351 CF8	A351 CF8M	A351 CF3	A351 CF3M
2	L-body	A216WCB A105	A352LCB A350LF2	A351 CF8	A351 CF8M	A351 CF3	A351 CF3M
3	R-body	A216WCB A105	A352LCB A350LF2	A351 CF8	A351 CF8M	A351 CF3	A351 CF3M
4	Ball	A105/Ep.Cr	A182 F304	A351 CF8	A351 CF8M	A351 CF3	A351 CF3M
5	Stem	A182 F6	A182 F6	A182 F304	A182 F316	A182 F304L	A182 F316L
6	Seat	A182 F6	A182 F6	A182 F304	A182 F316	A182 F304L	A182 F316L
7	Seat Ring	PTFE, POM or HF(Co-CrA)					
8	Gasket	PTFE or Flexible Graphite and Stainless Steel					
9	O-Ring	VITON	VITON	VITON	VITON	VITON	VITON
10	Trunnion	A182F6	A182F6	A182F304	A182F316	A182F304L	A182F316L
11	Spring	AISI6150		17-17PH(Inconel for NACE)	Ni-Cr Alloy		
12	Drain plug	A182F6	A182F6	A182F304	A182F316	A182F304L	A182F316L
13	Bolt	A193B7		A320L7	A193B8	A193B8M	
14	Stem bearing	PTFE or Stainless Steel and Graphite					
15	Stem seat	PTFE	PTFE	PTFE	PTFE	PTFE	PTFE
16	Small spring	17-17PH(Inconel for NACE)		Ni-Cr Alloy			
17	Small ball	A182 F304		A182 F316			
18	Trunnion bearing	PTFE or Stainless Steel and Graphite					
19	Plug	A105	A182 F6	A182 F304	A182 F316	A182 F304L	A182 F316L
20	Spring seat	A105	A182 F6	A182 F304	A182 F316	A182 F304L	A182 F316L
21	Bonnet Bolt	A193 B7		A320 L7	A320 B8	A193 B8M	
22	Bonnet Nut	A194 2H		A194 4	A194 8		
23	Pin	Carbon Steel or Alloy Steel					
24	Gland	A182F6	A182F6	A182F304	A182F316	A182F304L	A182F316L
25	Gland flange	A216 WCB	A352LCB	A351 CF8	A351 CF8M	A351 CF3	A351 CF3M
26	Stem packing	PTFE or Flexible Graphite					
27	Bonnet	A216 WCB A105	A352LCB A350LF2	A351CF8	A351CF8M	A351CF3	A351CF3M

The material is according to ASTM standard.