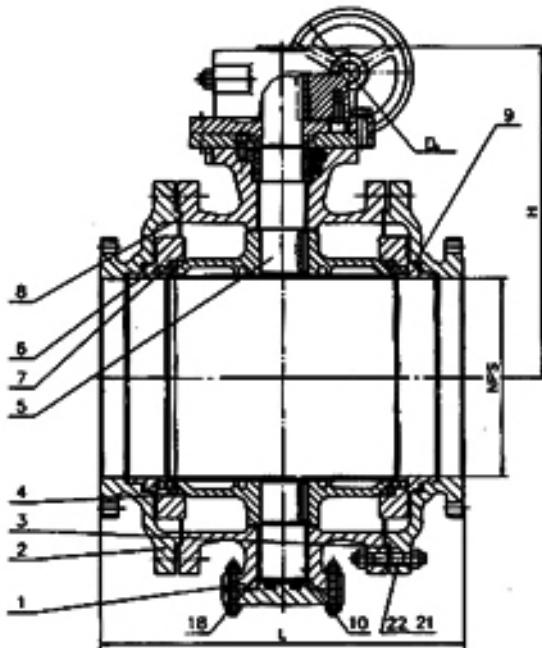




AR.TEK
service
srl

VALVOLA - SFERA - API 608
3 PEZZI
CLASS 600



three-piece body

Type of connection

RF and RTJ flange ends to ANSI B16.5 or API 605
and MSS SP-44 standard.

BW flange ends to ANSI B16.25 standard

Type of operation

Lever

Connection dimensions of Worm Gear actuator.

Electric actuator, Pneumatic actuator to ISO 5211 standard.

Anti-static constructions "AS" and

Fire-resistant constructions "FD".

CLASS 600

DN	50	65	80	100	150	200	250	300	350	400	450	500
NPS	2	2 1/2	3	4	6	8	10	12	14	16	18	20
L(RF)	292	330	356	432	559	660	787	838	889	991	1092	1194
	115	13	14	17	22	26	31	33	35	39	43	47
L ₁ (BW)	292	330	356	432	559	660	787	838	889	991	1092	1194
	115	13	14	17	22	26	31	33	35	39	43	47
L ₂ (RTJ)	295	333	359	435	562	664	791	841	892	994	1095	1200
	11.63	13.13	14.13	17.13	22.13	26.13	31.13	33.13	35	39.5	43.1	47.3
H	153	165	195	213	272	342	495	580	630	725	800	850
	6.02	6.5	7.68	8.39	10.7	13.5	19.5	22.85	24.8	28.5	31.5	33.5
Do(W)	600	850	1250	1300	1500	*350	*350	*600	*600	*800	*800	*800
	23.62	33.46	49.25	51.22	59	13.8	13.8	23.6	23.6	31.5	31.5	31.5
RF(kg)	38	56	66	102	217	350	660	820	1130	1550	2100	2800
BW(kg)	31	51	58	95	200	327	605	790	1030	1400	1900	2650

MATERIAL LIST

NO.	Part Name	Carbon Steel		Stainless Steel			
		WCB	LCB	CF8	CF8M	CF3	CF3M
1	Body	A216WCB A105	A352LF2	A351 CF8	A351 CF8M	A351 CF3	A351 CF3M
2	L-body	A216WCB A105	A352LCB A350LF2	A351 CF8	A351 CF8M	A351 CF3	A351 CF3M
3	R-body	A216WCB A105	A352LCB A350LF2	A351 CF8	A351 CF8M	A351 CF3	A351 CF3M
4	Ball	A105/Ep.Cr	A182 F304	A351 CF8	A351 CF8M	A351 CF3	A351 CF3M
5	Stem	A182 F6	A182 F6	A182 F304	A182 F316	A182 F304L	A182 F316L
6	Seat	A182 F6	A182 F6	A182 F304	A182 F316	A182 F304L	A182 F316L
7	Seat Ring	PTFE, POM or HF(Co-CrA)					
8	Gasket	PTFE or Flexible Graphite and Stainless Steel					
9	O-Ring	VITON	VITON	VITON	VITON	VITON	VITON
10	Trunnion	A182F6	A182F6	A182F304	A182F316	A182F304L	A182F316L
11	Spring	AISI6150		17-17PH(Inconel for NACE)	Ni-Cr Alloy		
12	Drain plug	A182F6	A182F6	A182F304	A182F316	A182F304L	A182F316L
13	Bolt	A193B7 A320L7		A193B8	A193B8M		
14	Stem bearing	PTFE or Stainless Steel and Graphite					
15	Stem seat	PTFE	PTFE	PTFE	PTFE	PTFE	PTFE
16	Small spring	17-17PH(Inconel for NACE)		Ni-Cr Alloy			
17	Small ball	A182 F304		A182 F316			
18	Trunnion bearing	PTFE or Stainless Steel and Graphite					
19	Plug	A105	A182 F6	A182 F304	A182 F316	A182 F304L	A182 F316L
20	Spring seat	A105	A182 F6	A182 F304	A182 F316	A182 F304L	A182 F316L
21	Bonnet Bolt	A193 B7 A320 L7		A320 B8	A193 B8M		
22	Bonnet Nut	A194 2H		A194 4	A194 8		
23	Pin	Carbon Steel or Alloy Steel					
24	Gland	A182F6	A182F6	A182F304	A182F316	A182F304L	A182F316L
25	Gland flange	A216 WCB	A352LCB	A351 CF8	A351 CF8M	A351 CF3	A351 CF3M
26	Stem packing	PTFE or Flexible Graphite					
27	Bonnet	A216 WCB A105	A352LCB A350LF2	A351CF8	A351CF8M	A351CF3	A351CF3M

The material is according to ASTM standard.