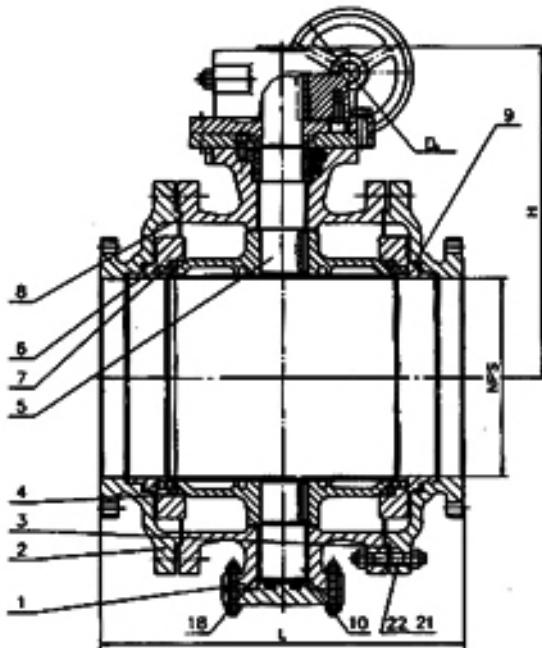




AR.TEK
service
srl

VALVOLA - SFERA - API 608
3 PEZZI
CLASS 900



three-piece body

Type of connection

RF and RTJ flange ends to ANSI B16.5 or API 605
and MSS SP-44 standard.

BW flange ends to ANSI B16.25 standard

Type of operation

Lever

Connection dimensions of Worm Gear actuator.

Electric actuator, Pneumatic actuator to ISO 5211 standard.

Anti-static constructions "AS" and

Fire-resistant constructions "FD".

CLASS 900

| DN | 50 | 65 | 80 | 100 | 150 | 200 | 250 | 300 | 350 | 400 | 450 | 500 |
|----------------------|-------|-------|-------|-------|-------|-------|-------|-------|------|------|------|------|
| NPS | 2 | 2 1/2 | 3 | 4 | 6 | 8 | 10 | 12 | 14 | 16 | 18 | 20 |
| L(RF) | 368 | 419 | 381 | 457 | 610 | 737 | 838 | 965 | 1029 | 1130 | 1219 | 1321 |
| | 14.5 | 16.5 | 15 | 18 | 24 | 29 | 33 | 38 | 40.5 | 44.5 | 48 | 52 |
| L ₁ (BW) | 368 | 419 | 381 | 457 | 610 | 737 | 838 | 965 | 1029 | 1130 | 1219 | 1321 |
| | 14.5 | 16.5 | 15 | 18 | 24 | 29 | 33 | 38 | 40.5 | 44.5 | 48 | 52 |
| L ₂ (RTJ) | 371 | 422 | 384 | 460 | 613 | 740 | 841 | 968 | 1032 | 1133 | 1222 | 1327 |
| | 14.63 | 16.63 | 15.13 | 18.13 | 24.13 | 29.13 | 33.13 | 38.13 | 40.6 | 44.6 | 48.1 | 52.3 |
| H | 162 | 195 | 205 | 239 | 290 | 355 | 510 | 595 | 650 | 750 | 835 | 900 |
| | 6.36 | 7.7 | 8.05 | 9.41 | 11.4 | 14 | 20 | 23.4 | 25.6 | 29.5 | 32.9 | 35.4 |
| D ₀ (W) | 600 | 850 | 1250 | 1300 | 1500 | *350 | *350 | *600 | *600 | *800 | *800 | *800 |
| | 23.62 | 33.46 | 49.25 | 51.22 | 59 | 13.8 | 13.8 | 23.6 | 23.6 | 31.5 | 31.5 | 31.5 |
| RF(kg) | 48 | 60 | 78 | 170 | 390 | 530 | 1070 | 1300 | 1560 | 2200 | 2900 | 4300 |
| BW(kg) | 44.5 | 52.5 | 75.2 | 150 | 370 | 500 | 950 | 1220 | 1450 | 2050 | 2700 | 4000 |

MATERIAL LIST

| NO. | Part Name | Carbon Steel | | Stainless Steel | | | |
|-----|------------------|--|-----------------|-----------------|-----------|------------|------------|
| | | WCB | LCB | CF8 | CF8M | CF3 | CF3M |
| 1 | Body | A216WCB A105 | A352LF2 | A351 CF8 | A351 CF8M | A351 CF3 | A351 CF3M |
| 2 | L-body | A216WCB A105 | A352LCB A350LF2 | A351 CF8 | A351 CF8M | A351 CF3 | A351 CF3M |
| 3 | R-body | A216WCB A105 | A352LCB A350LF2 | A351 CF8 | A351 CF8M | A351 CF3 | A351 CF3M |
| 4 | Ball | A105/Ep.Cr | A182 F304 | A351 CF8 | A351 CF8M | A351 CF3 | A351 CF3M |
| 5 | Stem | A182 F6 | A182 F6 | A182 F304 | A182 F316 | A182 F304L | A182 F316L |
| 6 | Seat | A182 F6 | A182 F6 | A182 F304 | A182 F316 | A182 F304L | A182 F316L |
| 7 | Seat Ring | PTFE, POM or HF(Co-CrA) | | | | | |
| 8 | Gasket | PTFE or Flexible Graphite and Stainless Steel | | | | | |
| 9 | O-Ring | VITON | VITON | VITON | VITON | VITON | VITON |
| 10 | Trunnion | A182F6 | A182F6 | A182F304 | A182F316 | A182F304L | A182F316L |
| 11 | Spring | AISI6150 17-17PH(Inconel for NACE) Ni-Cr Alloy | | | | | |
| 12 | Drain plug | A182F6 | A182F6 | A182F304 | A182F316 | A182F304L | A182F316L |
| 13 | Bolt | A193B7 A320L7 A193B8 A193B8M | | | | | |
| 14 | Stem bearing | PTFE or Stainless Steel and Graphite | | | | | |
| 15 | Stem seat | PTFE | PTFE | PTFE | PTFE | PTFE | PTFE |
| 16 | Small spring | 17-17PH(Inconel for NACE) Ni-Cr Alloy | | | | | |
| 17 | Small ball | A182 F304 A182 F316 | | | | | |
| 18 | Trunnion bearing | PTFE or Stainless Steel and Graphite | | | | | |
| 19 | Plug | A105 | A182 F6 | A182 F304 | A182 F316 | A182 F304L | A182 F316L |
| 20 | Spring seat | A105 | A182 F6 | A182 F304 | A182 F316 | A182 F304L | A182 F316L |
| 21 | Bonnet Bolt | A193 B7 A320 L7 A320 B8 A193 B8M | | | | | |
| 22 | Bonnet Nut | A194 2H A194 4 A194 8 | | | | | |
| 23 | Pin | Carbon Steel or Alloy Steel | | | | | |
| 24 | Gland | A182F6 | A182F6 | A182F304 | A182F316 | A182F304L | A182F316L |
| 25 | Gland flange | A216 WCB | A352LCB | A351 CF8 | A351 CF8M | A351 CF3 | A351 CF3M |
| 26 | Stem packing | PTFE or Flexible Graphite | | | | | |
| 27 | Bonnet | A216 WCB A105 | A352LCB A350LF2 | A351CF8 | A351CF8M | A351CF3 | A351CF3M |

The material is according to ASTM standard.